

# TECHNICAL SPECIFICATION 1 SHEET METAL ROOF UPGRADES

## CYCLONE SEROJA RECOVERY AND RESILIENCE GRANTS PROGRAM

**The Recovery and Resilience Grants Program offers grants of up to \$20,000 to help insured residents impacted by Severe Tropical Cyclone Seroja build back better against future cyclones.**

---

**This technical specification provides information for builders and designers to understand the minimum design, compliance and evidence requirements for upgrade works to sheet metal roofs through the Resilience Grant. Non-compliance with the requirements may deem the Resilience Grant application ineligible.**

---

This specification includes the following sections.

1.	Scope of works	2
2.	Tie-down of roof structure to walls	3
3.	Batten to rafter or truss connections	10
4.	Roofing	11
5.	Evidence Requirements	12
	Appendix A: Wind Classifications and Internal Pressure	14
	Appendix B Resources	17

Fact sheets and technical specifications are also available for the following eligible works under the Recovery and Resilience Grant Program:

- Structural upgrades for a tiled roof.
- Replacing existing hollow core or semi-solid exterior doors with solid timber doors.
- Replacing an existing garage door with a cyclonic wind-rated garage door.
- Installing debris screens or cyclone rated shutters to windows.

---

### **IMPORTANT NOTE FOR CONTRACTORS – EVIDENCE REQUIREMENTS**

The Resilience Grant will only be paid when the required evidence is provided, as described in this specification.

Failure to provide the required evidence will result in the grant application being ineligible.

---

# 1. Scope of works

## 1.1 Design requirements

All eligible building elements must be designed and certified to a C wind classification equivalent to the current N wind classification of the site, as shown at Table 1.1 below.

Table 1.1 – Applicable C Wind Classification for Resilience Upgrades

Current 'N' Wind Classification	Recommended 'C' Wind Classification
N2 N3	C1
N4	C2

The current wind classification for the site must be determined by a qualified engineer with reference to AS 4055 or AS/NZS 1170.2 as appropriate.

Eligible roof upgrade works must involve all of the following four elements in order to ensure a secure chain of structural connections that can resist uplift.

1. Upgrade tie-down of roof structure to wall to C wind classification requirements
2. Upgrade batten to rafter/truss connection to C wind classification requirements
3. Screw fixing of all roof sheet and ridge capping to battens appropriate to wind classification

This specification provides information of typical details and requirements for the above elements taken from National Construction Code (NCC) referenced documents. The examples do not include every available option, detail every member in the structural system that resist uplift from wind loads, or provide solutions for complex designs or buildings that do not satisfy the geometric limitations of AS 4055, AS 1684 or the National Association of Steel-framed Housing (NASH) standard. Expert engineering advice may be required to determine a compliant solution.

## 1.2 Different Requirements for Sheet Roofs and Tiled Roofs

The tie-down requirements for a sheet roof exceed the requirements for tile roofs because of the additional resistance arising from the weight of a tiled roof. Works involving the replacement of a tile roof with a metal sheet roof, must comply with the fixing requirements specified in this Technical Specification for Sheet Roofs.

(Also refer to Building and Energy information: [Changing your roof cover – things you need to know](#) and [General Inspection Report 5 – Investigation into reroofing of buildings](#))

Upgrades of tiled roofs should refer to the Technical Specification for Tiled Roofs.

## 1.3 Approvals

Approval of funding under the Recovery and Resilience Grants Program does not constitute a regulatory or local government approval to undertake works. Contractors must obtain necessary approvals and licenses for planning, demolition, and building from the local government prior to commencing any works on site. Note that structural works and replacement of a roof usually requires a building permit.

## 1.4 Applicable Standards

The information in these specifications must be used in conjunction with the requirements under building legislation in Western Australia. All building work must be designed and constructed in accordance with the current National Construction Code (NCC).

The following NCC referenced documents apply to these works and are referenced in this specification:

- AS 4055 Wind loads for housing
- AS 1170.2 Structural Design Actions: Part 2, Wind Actions
- AS 1483.3 Timber Framing Code, Cyclonic Areas
- AS 4773.1 Masonry design in small buildings
- AS 1250 The Use of Steel in Structures

Reference is also made to the National Association of Steel-framed Housing (NASH) Standard - Residential and Low-rise Steel Framing Part 1: Design Criteria.

## 2. Tie-down of roof structure to walls

### 2.1 Girder trusses and strutting beams

The wind uplift forces on **girder trusses**, which support other trusses, are significantly higher than those on standard trusses due to the larger roof area supported by girder trusses. Likewise, **strutting beams** carry larger loads than normal rafters.

All tie-downs through wall and floor systems below girder trusses or strutting beams must be sized for the higher uplift forces associated with the relevant C wind classification (see Table 1.1). This information must be provided by the truss designer or the design engineer in the form of a certified drawings.

### 2.2 Timber roof frame to timber-framed walls

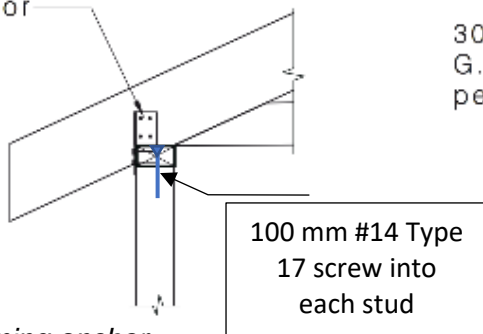
The connection of the roof frame to timber frame walls must be upgraded from a skew nailed connection to the use of straps or framing anchors in accordance with 1684.3. The contractor or design engineer shall select an appropriate detail from AS 1684 based on the specific roof framing design and the wind classification.

Table 2.2.1 lists common details for C1 comparing the AS 1684.2 (non-cyclonic areas) requirement with AS 1684.3 (cyclonic areas) for existing classification of N2 and N3. Table 2.2.2 lists common details for C2, comparing with existing classification of N4.

Each of these details connects to the top plate, and 100 mm bugle head screws should be used to anchor the top plate to each stud. Install them downwards through the top plate between the nails into the studs.

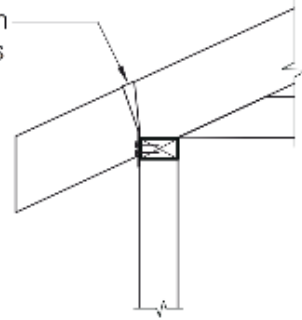
**Indicative connection details timber roof frame to timber framed walls**

Framing anchor  
as per table,  
4/2.8 mm Ø  
nails to each  
end

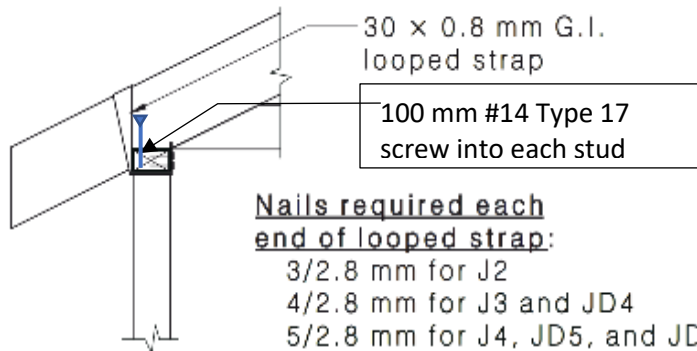


**Figure 2.2.1** Framing anchor  
(from AS 1684) (Applies C1 only)

30 x 0.8 mm  
G.I. strap as  
per table



**Figure 2.2.2** Strap (from AS 1684)



**Figure 2.2.3** Looped  
strap (from AS 1684)

**Table 2.2.1** Rafter/truss to timber-framed wall connections: Sheet roofs C1 Classification

Rafter or truss spacing (mm)	Uplift RLW (mm)	N2 requirements (1684.2) <u>Not</u> eligible	N3 requirements (1684.2) <u>Not</u> eligible	C1 requirements (1684.3) – Eligible for Grant
600	3000	1 x framing anchor	1 x framing anchor	<b>1 x galv. strap</b>
	4500	1 x framing anchor	1 x strap	<b>2 x galv. straps</b>
	6000	1 x framing anchor	2 x framing anchors	<b>Looped strap</b>
	7500	1 x strap	2 x straps	<b>Looped strap</b>
900	3000	1 x framing anchor	1 x strap	<b>2 x galv. straps</b>
	4500	1 x strap	2 x straps	<b>Looped strap</b>
	6000	2 x framing anchors	Looped strap	<b>Looped strap</b>
	7500	2 x straps	Looped strap	<b>Looped strap</b>
1200	3000	1 x framing anchor	2 x straps	Looped strap
	4500	2 x framing anchors	Looped strap	Looped strap
	6000	2 x straps	Looped strap	2 x Looped strap
	7500	2 x straps	Looped strap	2 x Looped strap

**Table 2.2.2** Rafter/truss to timber-framed wall connections: Sheet roofs C2 classification

Rafter or truss spacing (mm)	Uplift RLW (mm)	N4 requirements (1684.2) <u>Not</u> eligible for Grant	C2 requirements (1684.3) – Eligible for Grant
600	3000	1 x strap	<b>2 x straps</b>
	4500	2 x straps	<b>Looped strap</b>
	6000	Looped strap	<b>Looped strap</b>
	7500	Looped strap	<b>2 x Looped straps</b>
900	3000	2 x straps	<b>Looped strap</b>
	4500	Looped strap	<b>Looped strap</b>
	6000	Looped strap	<b>2 x Looped strap</b>
	7500	2 x Looped straps	<b>2 x Looped strap</b>
1200	3000	Looped strap	2 x Looped straps
	4500	Looped strap	NA
	6000	2 x Looped straps	NA
	7500	2 x Looped straps	NA

**Notes:**

A maximum rafter or truss spacing of 900mm is recommended in Wind Region B. Palm-nailers can be used to install straps and framing anchors. Nail guns cannot be used unless the anchor is specifically manufactured for nail guns.

### 2.3 Timber roof frame to brick walls

Inspect all tie-downs to ensure they are undamaged and are still effective, noting that many tie-down straps pulled out of the brickwork in TC Seroja. All damaged/ineffective tie-downs must be replaced. Even where tie-downs are undamaged they might not be strong enough to withstand future events and extra tie-downs may be required.

There are several options for installing new tie-downs into brickwork, including straps and steel dowels or threaded rods and plates. Refer Figures 2.3.1, 2.3.2 and 2.3.3 for further details.

**J-Bolt** (hook rod) tie-down systems are not recommended, as per the published advice in [Industry Bulletin 109](#), Department of Mines, Industry Regulation and Safety, 2018. They will not be accepted as part of this work program.

Table 2.3 summarises the spacing requirements for C1 and C2 wind classifications. AS 4773.1 does not provide details for straps used on C1 or C2 houses. The table below is intended as a guide. It is likely that an engineer designed solution will be required.

**Table 2.3** – Example of tie-down spacing requirements (from AS 4773.1)

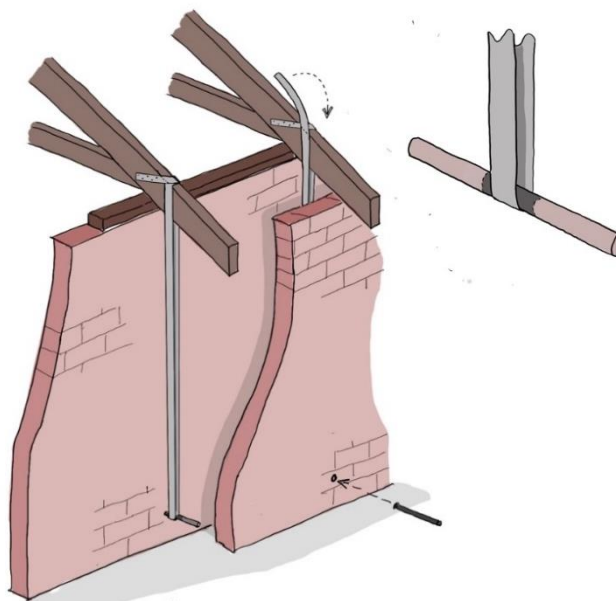
Uplift load width (ULW) (mm)	Wind Region B (N2 / N3 / N4) requirements (mm) <b>Not eligible for grant</b>	Recommended spacing to meet eligibility requirements	
		C1 wind classification	C2 wind classification
	Embedment depth >900 mm	Embedment depth >2000 mm	
3000	1200/1200/1200	<b>1200</b>	<b>900</b>
4500	1200/1200/1200	<b>900</b>	<b>900</b>
6000	1200/1200/1200	<b>900</b>	<b>NA</b>
7500	1200/ NA / NA	<b>NA</b>	<b>NA</b>
8000	1200 / NA / NA	<b>NA</b>	<b>NA</b>

**NA** means there is insufficient weight in the brickwork to resist the wind forces. An engineer-designed solution is required in these circumstances.

**Straps and steel dowels**

- Prepare a 16mm galvanised steel dowel for installation across the cavity between the brick leaves within 200 mm of the bottom of the wall.
- Place a looped galvanised strap into the cavity and thread the dowel through the bottom of the strap
- Nail both ends of the long strap to the roof structure with at least 4 nails per leg.

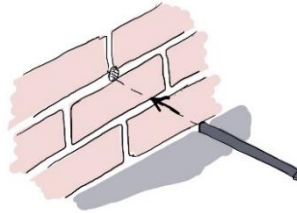
**Figure 2.3.1** Long strap and metal dowel tie-down system



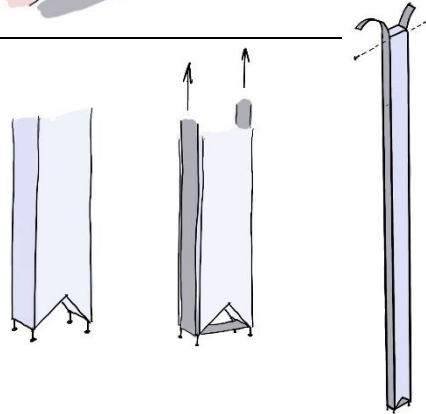
Refer Figure 2.3.2 for an installation method in an existing cavity brick wall.

**Figure 2.3.2** Installation of strap and dowel in an existing cavity wall

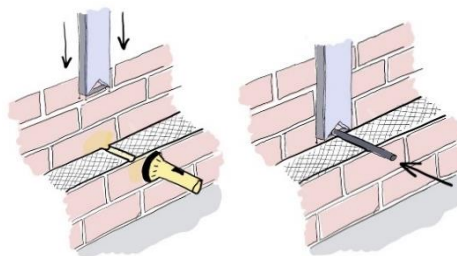
Drill 17 mm hole through mortar joints from the outside of the wall, well into the inner leaf. Trial fit the 16 mm steel rod.



Cut a vee notch in the bottom of a 3 m length of 70x35 timber, drive nails to hold the strap firm at the end. Wind the strap around the timber and secure with screws at the top.



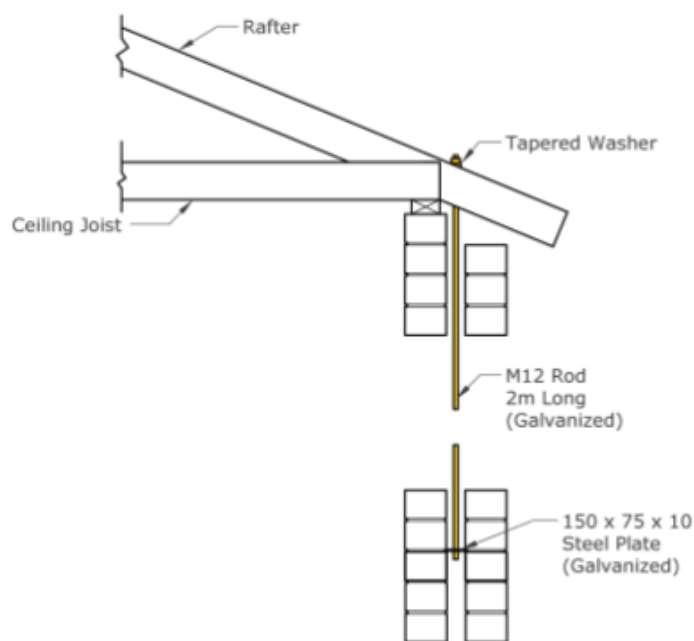
Locate the hole using a torch and lower the 70x35 and strap. Install the rod once the strap has passed the light beam. Undo the screws at the top and start fastening to the roof structure. Remove the 70x35 timber, tension the strap and complete the connection to the roof structure.



**Threaded rods and plates**

- The galvanised M12 threaded rod is screwed into a threaded galvanised plate installed across the cavity between the brick leaves at least 2 m from the top of the wall.
- The upper end of the rod is securely fixed to the rafter.

**Figure 2.3.3** Threaded rod and plate tie-down system

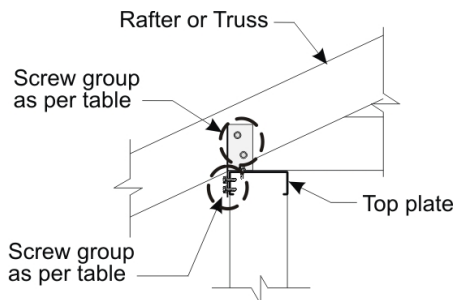


## 2.4 Steel roof frame to steel wall frames

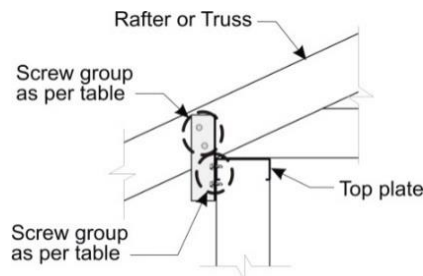
Select an appropriate detail for the relevant C wind classification (see Table 1.1) from the “NASH Standard for Residential and Low-rise Steel Framing, Part 2 Design Solutions” to meet the requirements for resilience.

Table 2.4.1 presents the most common details, derived from NASH. Examples of compliant connection details are provided at figures 2.4.1 – 4.

### Indicative connection details: steel truss/rafter to top plate

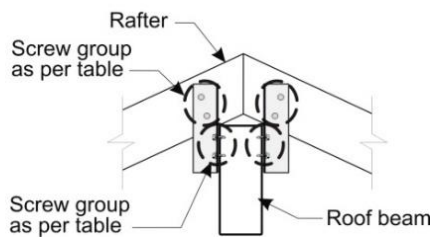
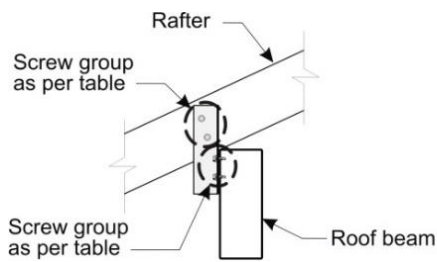


**Figure 2.4.1** Framing anchor



**Figure 2.4.2** Angle connector

### Indicative connection details: Steel truss/rafter to roof beam



**Figures 2.4.3 and 2.4.4** Angle connections



**Table 2.4.1 Rafter/truss to steel-framed wall connections for sheet roofs**

Rafter or truss spacing (mm)	Uplift RLW (mm)	C1 Requirements (Upgrade from existing N2 N3)		C2 Requirements (Upgrade from existing N4)	
		Minimum chord and web BMT		Minimum chord and web BMT	
		0.75	1.00	0.75	1.00
600	3000	4 x 10g	2 x 10g	4 x 10g	4 x 10g
	4500	4 x 10g	4 x 10g	6 x 10g	4 x 10g
	6000	6 x 10g	4 x 10g	2 of 5 x 14g	2 of 3 x 12g
	7500	6 x 14g	4 x 12g	2 of 5 x 14g	2 of 3 x 12g
900	3000	4 x 10g	4 x 10g	6 x 10g	4 x 10g
	4500	6 x 10g	4 x 10g	2 anchors - 5 x 14g	2 anchors - 3 x 12g
	6000	2 anchors - 5 x 14g	2 anchors - 3 x 12g	2 anchors - 8 x 14g	2 anchors - 5 x 12g
	7500	2 anchors - 5 x 14g	2 anchors - 3 x 12g	2 anchors - 8 x 14g	2 anchors - 5 x 12g
1200	3000	6 x 10g	4 x 10g	2 anchors - 5 x 14g	2 anchors - 3 x 12g
	4500	2 anchors - 5 x 14g	2 anchors - 3 x 12g	2 anchors - 8 x 14g	2 anchors - 5 x 12g
	6000	2 anchors - 5 x 14g	2 anchors - 3 x 12g	2 anchors - 8 x 14g	2 anchors - 5 x 12g
	7500	2 anchors - 8 x 14g	2 anchors - 5 x 12g		

**Notes:**

1. The screws given in the table are for each screw group as shown in the Figures 2.4. 1-4
2. Each connection has either one framing anchor or angle anchor unless noted otherwise.

## 2.5 Engineered roof designs / Alternative solutions

Engineered roof structures and other structures that do not fit within standard design tables will require certified engineers drawing demonstrating that the connections meet the uplift requirements for the relevant C wind classification (see Table 1.1).

### 3. Batten to rafter or truss connections

#### 3.1 Batten to rafter or truss connections in timber framing

Select an appropriate fixing detail from AS1684.3, using:

- details for C1 wind classifications for existing N2 or N3 classifications
- details for C2 wind classification for existing N4 classification.

Refer AS 1250 for all other configurations.

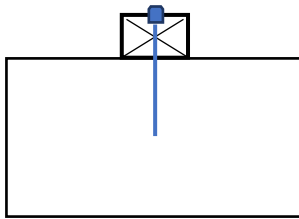
**Table 3.1 Timber batten to rafter/truss connections**

Rafter or truss spacing (mm)	Batten spacing (mm)	C1 Requirements (Upgrade from existing N2 N3)	C2 Requirements (Upgrade from existing N4)
600	600	1 / 75 mm #14 Type 17 screw	1 / 75 mm #14 Type 17 screw
	750		1 / 75 mm #14 Type 17 screw
	900		1 / 75 mm #14 Type 17 screw
	1200		1 / <b>100 mm</b> #14 Type 17 screw
900	600	1 / 75 mm #14 Type 17 screw	1 / 75 mm #14 Type 17 screw
	750	1 / 75 mm #14 Type 17 screw	1 / <b>100 mm</b> #14 Type 17 screw
	900	1 / 75 mm #14 Type 17 screw	1 / <b>100 mm</b> #14 Type 17 screw
	1200	1 / <b>100 mm</b> #14 Type 17 screw	<b>1 x strap</b>
1200	600	75 mm screw	<b>100 mm screw</b>
	750	75 mm screw	<b>1 x strap</b>
	900	<b>100 mm screw</b>	<b>1 x strap</b>
	1200	<b>100 mm screw</b>	<b>1 x strap</b>

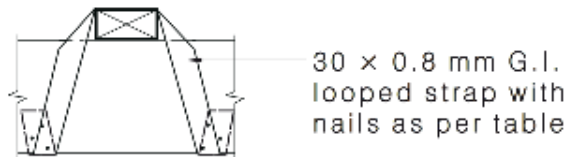
**Notes:**

- Maximum recommended rafter or truss spacing in Wind Region B is 900 mm.
- Pre-drill seasoned hardwood before installing screws.
- Nailed battens will not meet the minimum requirements of the Resilience Grant, regardless of the nail type / nailing method.

**Figure 31.1** Indicative Batten to rafter connection – 75 mm or 100mm screws



**Figure 3.1.2** Batten to rafter connection – strap

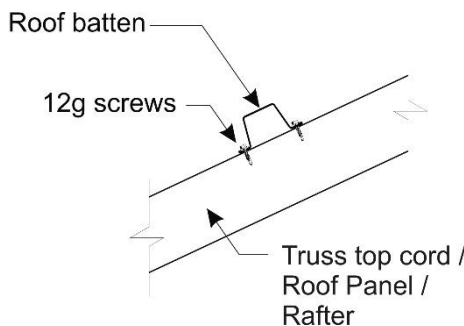


Timber	No. of 2.8 mm Ø nails each end of strap
J2	3
J3 and JD4	4
J4, JD5 and JD6	5

### 3.2 Batten to rafter or truss connections in steel framing

Select an appropriate fixing detail from the “NASH Standard for Residential and Low-rise Steel Framing, Part 2 Design Solutions” using:

- details for C1 wind classifications for existing N2 or N3 classifications
- details for C2 wind classification for existing N4 classification.



**Figure 3.2.1** - Example metal batten to rafter connection

## 4. Roofing

Fix the roof sheeting to the battens in accordance with the roofing manufacturer’s recommendations for C1 (existing N2/N3) or C2 (existing N4) wind classification as applicable. (Refer Table 1.1). Manufacturers’ details may vary with wind classification and can include specification of:

- fastener type and strength
- spacing of fasteners along a batten
- maximum batten spacing
- special requirements for fixings in the edge or corner areas
- special requirements for fixings in the cyclonic areas (C1/C2 wind classifications)
- special requirements for corrosion resistance for sites near salt water.

## 5. Evidence Requirements

The following evidence must be provided to support an application for a Resilience Grant.

1. All necessary building approvals / licenses for structural works
2. Builders / contractors licenses
3. Tax Invoice with detail of works and ABN/ACN
4. Wind rating assessment and classification by certified engineer
5. Certified roof framing plans/details/schedule with reference to one or more of the following standards as appropriate for the construction type. Details used in the plans and specifications must be appropriate for the relevant C wind classification (see Table 1.1):
  - AS 4055 Wind loads for housing
  - AS 1170.2 Structural Design Actions: Part 2, Wind Actions
  - AS 1483.3 Timber Framing Code, Cyclonic Areas
  - AS 4773.1 Masonry design in small buildings
  - AS 1250 The Use of Steel in Structures
  - National Association of Steel-framed Housing (NASH) Standard - Residential and Low-rise Steel Framing Part 1: Design Criteria
6. Site photos of works in progress and complete structure prior to insulation/sheeting, including the following connections:
  - Batten to rafter connection (*photos showing the connections in different parts of the roof*)
  - Roof or truss to wall connections (*photos showing the connections at the top of the wall where the spacing between the connections can be seen using a tape measure for reference*)
  - Bottom wall connections – for Brick Walls only (*photos of the bottom of the connection showing dowels or plates being installed*)
  - Batten spacing (*photos of a tape measure across battens showing the spacing between battens*)
  - Roof Fastener Spacing (*photos showing roof panels where the fasteners can clearly be seen*)
  - Roof or Truss Tie-down to wall structure and beams
7. Site photos of sheet roof fixings at ends, ridges, and mid span
8. Site photos showing completed works
9. Signed Resilience Works Completion Form

Note: Photos should be taken from different positions showing different perspectives and angles.

## Requirements for Photographic Evidence

Photographic evidence must clearly show the works in context and include global positioning system (GPS) coordinates and date information so that assessors can verify the location of the works.

Most, but not all, electronic devices include GPS and date metadata with photos. Contractors should submit an initial photo to the Grants team of the front of the dwelling when works are commencing on site to enable the metadata / location of the works to be verified.

Photos should be taken regularly as works proceed to provide a record of the works as a whole. In particular any upgrades and connections that will be concealed by later works must be photographed prior to concealment.

Costs associated with uncovering concealed works may be borne by the Contractor.

The following photos should be taken throughout the works and submitted regularly:

- photos from the ground showing the building itself and works in progress
- photos taken on a ladder or on the roof showing the installation of upgraded connections across the roof area
- detail photos demonstrating a sample of connections

**Contractors are encouraged to speak regularly with the Recovery and Resilience Grants team to ensure their photos comply with the evidence requirements.**

## Appendix A: Wind Classifications and Internal Pressure

### Wind Regions

AS 4055 (the Australian wind loading Standard for houses) divides Australia into four Wind Regions: A, B, C and D. Wind Regions A and B have N (non-cyclonic) wind classifications and Wind Regions C and D have C (cyclonic) wind classifications.

- Wind region A design winds are associated with severe thunderstorms, large frontal systems or significantly weakened tropical cyclones.
- **Wind region B design winds are associated with severe thunderstorms, or tropical cyclones.**
- Wind region C design winds are associated with severe tropical cyclones as they cross the coast.
- Wind region D design winds are associated with the most severe tropical cyclones.

The design wind speeds are different for each wind region.

Strong winds can be generated by severe thunderstorms in any part of Australia. Tropical cyclones develop in northern coastal areas of Australia but can travel further south into non-cyclonic areas as they weaken. Climate change modelling suggests that tropical cyclones may have a more southerly impact. Severe Tropical Cyclone Seroja crossed the coast in Wind Region B.

Wind Region B in WA (red shaded area on the map below) is located:

- between 30° south and 27° south extending 100 km inland from the coast, and
- between 27° south and the WA/NT border extending 50 km inland from the Wind Region C boundary.



**Wind Regions (source National Construction Code Figure 3.1(A))**

Within each Wind Region, different wind classifications are applied based on the size and exposure of the building. AS 4055 is used by designers to determine the wind classification for most houses. Wind loads for larger houses must be evaluated using AS/NZS 1170.2. Wind classifications/wind loadings are used to design and specify the tie-downs required in the roof structure and walls, roof cladding and fixing details, bracing details, and windows and wall cladding.

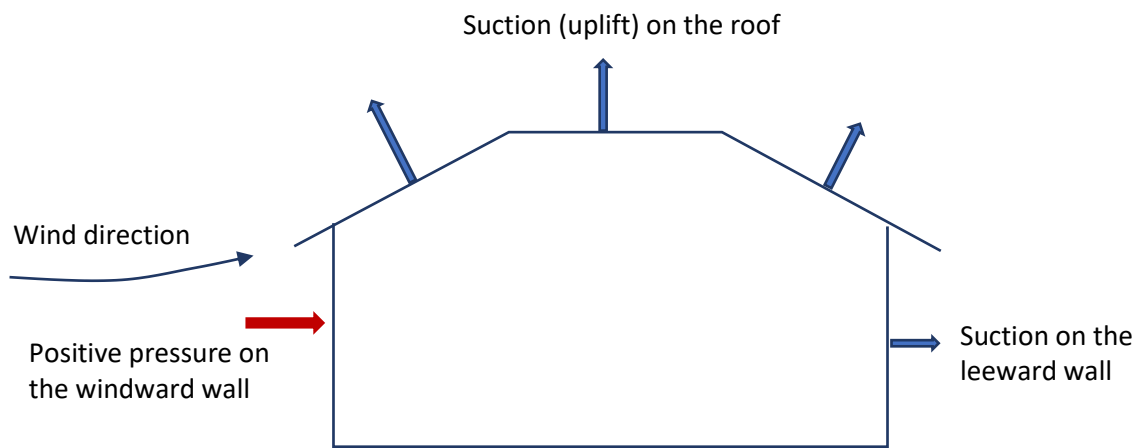
- Many houses in Wind Region B will be assigned an N3 wind classification.
- Only houses surrounded by many other houses and not on a hill can have an N2 wind classification.
- Houses in a more exposed location with a good view may be classified as N4.

To be eligible for the Resilience grant, the construction details have to comply with the relevant C wind classification – see Table 1.1.

## Internal pressure

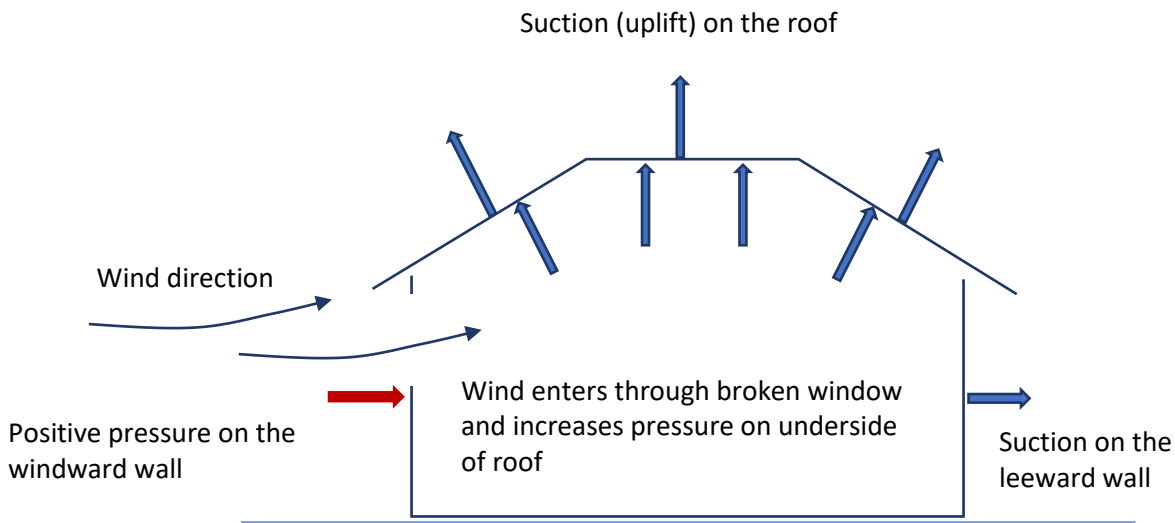
The wind loads and pressures applied to the roof, walls, structural and cladding components of a house during a cyclone are a combination of internal and external pressures.

The external pressures are represented in Figure 1 with arrows away from the surface – showing suction. Suction pressures on the roof apply upward forces that will lift the roof if it isn't tied down properly. The windward wall has pressures towards the surface, tending to push the wall into the building. Figure 1 shows a sealed building; there are no openings that would allow air into the internal spaces.



**Figure 1 Typical external pressures on a building**

If an opening is created in the house during a cyclone, such as when wind-borne debris breaks a window, the pressure inside the house increases. This is illustrated in Figure 2, which shows that the pressure across the roof is the upward pressure on the underside of the roof plus the upward suction on the upper side of the roof. The combined pressure is much higher than the pressure on the roof shown in Figure 1. Therefore, the tie-downs need to be stronger to resist the higher wind forces.



**Figure 2** Typical internal pressures on a building with an opening on a windward wall

Houses in Wind Region B are typically designed for low internal pressure. As a result, many roof tie-downs were not strong enough to resist the high internal pressures created when a door or window was broken by wind-borne debris or wind pressure during TC Seroja, and many roofs were lost. The purpose of the grant program is to upgrade houses so they are stronger for future storms.



## Appendix B Resources

### Building and Energy

- [Industry Bulletin 32](#) Durability of roof tie-down connector straps
- [Industry Bulletin 49](#) Connection of roof battens
- [Industry Bulletin 53](#) Roof cladding requirements – building permit requirements
- [Industry Bulletin 93](#) Documentation for timber-framed roof construction
- [Industry Bulletin 109](#) J Bolt (hook rod) tie-down systems
- [Industry Bulletin 124](#) Warning on inappropriate wind classifications
- [Building and Energy General Inspection \(Snapshot\) Report Four: Wind classification compliance for Western Australian houses](#)
- [Checking roof compliance on-site \(video presentation\)](#)
- [Guidance on replacing asbestos roof cladding](#)
  - [Frequently asked questions](#)
  - [Reminder to replace asbestos roofing](#)

### Cyclone Testing Station

[Videos](#) for builders on re-roofing houses that have been damaged by tropical cyclones

[‘Weather the storm’](#) – retrofitting options for houses

[Technical Report 66](#) Tropical Cyclone Seroja – Damage to buildings in the Mid-West Coastal Region of WA

### National Association of Steel-Framed Housing

National Association of Steel-Framed Housing (2014) NASH Standard – Residential and low-rise steel framing Part 2: Design solutions. National Association of Steel-framed Housing, Melbourne, Victoria.

### Australian Standards

- Standards Australia (2010) *AS 1684.2 Residential timber-framed housing, Part 2: Non-cyclonic areas*. Standards Australia, Sydney, NSW, Australia.
- Standards Australia (2010) *AS 1684.3 Residential timber-framed housing, Part 3: Cyclonic areas*. Standards Australia, Sydney, NSW, Australia.
- Standards Australia (2012) *AS 4055 Wind loads for housing*. Standards Australia, Sydney, NSW, Australia.
- Standards Australia (2015) *AS 4773.1 Masonry in small buildings, Part 1: Design*. Standards Australia, Sydney, NSW, Australia.